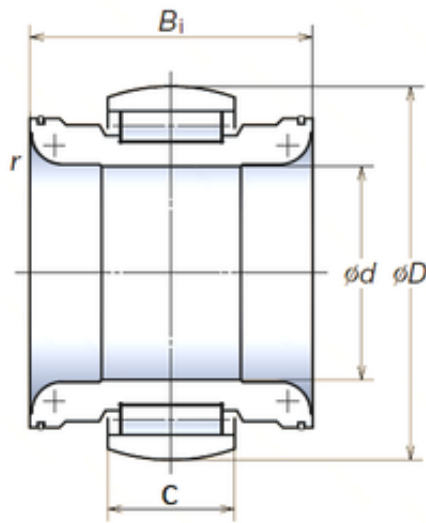




FML ske Manufacturing Co., Ltd



NSK 140RNP2401 cylindrical roller bearings

Bearing No. 140RNP2401

Size	140x245x85 mm
Bore Diameter	140 mm
Outer Diameter	245 mm
Width	85 mm
d	140 mm
D	245 mm
B1	184 mm
C	85 mm
r1 min.	20 mm
Basic dynamic load rating (C)	710 kN

140RNP2401 Bearing 2D drawings and 3D CAD models