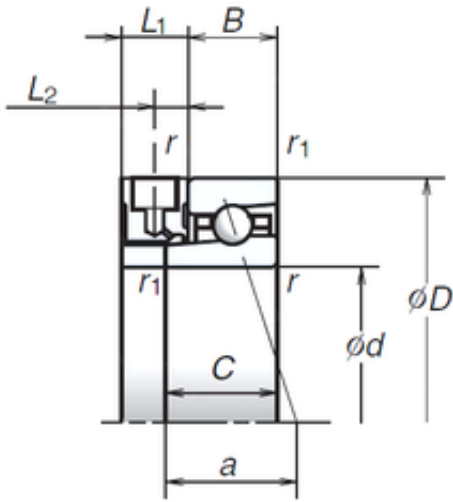




FML ske Manufacturing Co., Ltd



65 mm x 90 mm x 13 mm NSK 65BER19XE angular contact ball bearings

Bearing No. 65BER19XE

Size	65x90x13 mm
Bore Diameter	65 mm
Outer Diameter	90 mm
Width	13 mm
d	65 mm
D	90 mm
B	13 mm
C	18 mm
L2	7,5 mm
Angle ()	25 °
a	29,6 mm
r min.	1 mm
r1 min.	0,6 mm
L1	15 mm
Weight	0,209 Kg
Basic dynamic load rating (C)	14,5 kN
Basic static load rating (C0)	12,6 kN
(Grease) Lubrication Speed	38 800 r/min

65BER19XE Bearing 2D drawings and 3D CAD models