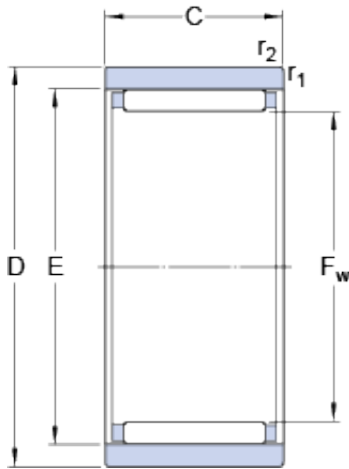




# FML ske Manufacturing Co., Ltd



## SKF RNAO 65x85x30 cylindrical roller bearings

Bearing No. RNAO 65x85x30

RNAO 65x85x30 Bearing 2D drawings and 3D CAD models

|                                  |             |
|----------------------------------|-------------|
| Size                             | 85x65x30 mm |
| Bore Diameter                    | 85 mm       |
| Outer Diameter                   | 65 mm       |
| Width                            | 30 mm       |
| $F_w$                            | 65 mm       |
| D                                | 85 mm       |
| C                                | 30 mm       |
| E                                | 73 mm       |
| $r_{1,2} - \text{min.}$          | 1 mm        |
| $d_a$                            | 72.2 mm     |
| $D_a$                            | 73.8 mm     |
| $D_b$                            | 66 mm       |
| $r_a - \text{max.}$              | 1 mm        |
| Basic dynamic load rating - C    | 53.9 kN     |
| Basic static load rating - $C_0$ | 125 kN      |
| Fatigue load limit - $P_u$       | 15.6 kN     |
| Reference speed                  | 6300 r/min  |
| Limiting speed                   | 7000 r/min  |
| $F_w$                            | 65 mm       |
| $r_{1,2} \text{ min.}$           | 1 mm        |
| $d_a$                            | 72.2 mm     |
| $D_a$                            | 73.8 mm     |
| $D_b$                            | 66 mm       |
| $r_a \text{ max.}$               | 1 mm        |
| Basic dynamic load rating C      | 53.9 kN     |



## FML ske Manufacturing Co., Ltd

|                                |         |
|--------------------------------|---------|
| Basic static load rating $C_0$ | 125 kN  |
| Fatigue load limit $P_u$       | 15.6 kN |
| Mass bearing                   | 0.46 kg |