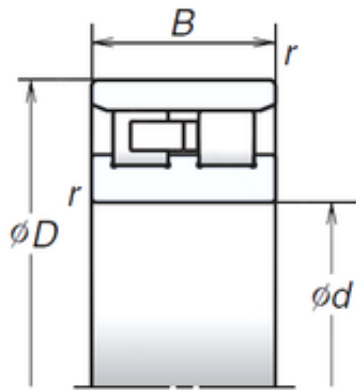




FML ske Manufacturing Co., Ltd



*Cylindrical Bore

240 mm x 320 mm x 60 mm NSK NN3948MB
cylindrical roller bearings

Bearing No. NN3948MB

Size	240x300x60 mm
Bore Diameter	240 mm
Outer Diameter	300 mm
Width	60 mm
d	240 mm
D	320 mm
E	300 mm
B	60 mm
C	60 mm
r min.	2,1 mm
Weight	12,1 Kg
Basic dynamic load rating (C)	460 kN
Basic static load rating (C0)	0 975 kN
(Grease) Lubrication Speed	2 700 r/min

NN3948MB Bearing 2D drawings and 3D CAD models