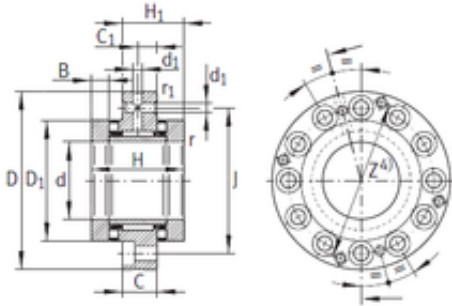




FML ske Manufacturing Co., Ltd

17 mm x 62 mm x 9 mm INA ZARF1762-TV complex bearings



Bearing No. ZARF1762-TV

Size	17x62x14 mm
Bore Diameter	17 mm
Outer Diameter	62 mm
Width	14 mm
d	17 mm
D	62 mm
C	14 mm
H	43 mm
d1	3,2 mm
r min.	0,3 mm
r1 min.	0,6 mm
B	9 mm
C1	8 mm
D1	38 mm
H1	27,5 mm
J	48 mm
da min.	28 mm
Da max.	39 mm
Weight	0,49 Kg
Dynamic load rating radial (C)	14 kN
Dynamic load rating axial (C)	26 kN
Static load rating radial (C0)	19,9 kN
Static load rating axial (C0)	57 kN
(Grease) Lubrication Speed	2 100 r/min

ZARF1762-TV Bearing 2D drawings and 3D CAD models



FML ske Manufacturing Co., Ltd