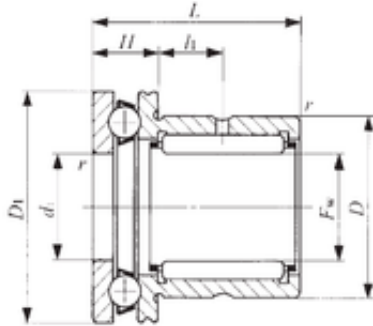




# FML ske Manufacturing Co., Ltd

## IKO NAX 6040 complex bearings



NAX 6040 Bearing 2D drawings and 3D CAD models

Bearing No. NAX 6040

Bore Diameter	60 mm
Outer Diameter	72 mm
Fw	60 mm
D	72 mm
D1	85 mm
d1	60 mm
r min.	1 mm
H	17 mm
L	40 mm
L1	12 mm
da min.	75 mm
Weight	0,417 Kg
Dynamic load rating radial (C)	47,5 kN
Dynamic load rating axial (C)	41,4 kN
Static load rating radial (C0)	103 kN
Static load rating axial (C0)	89,7 kN