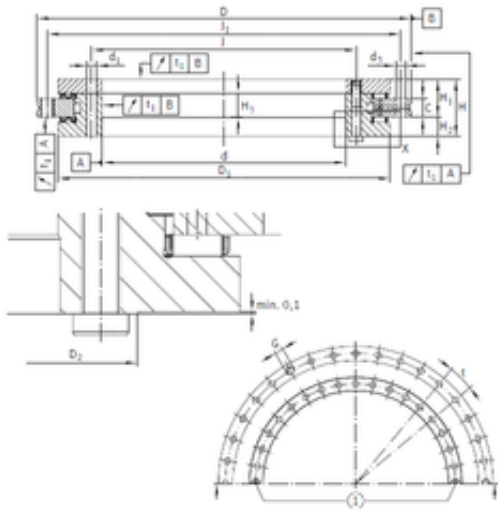




# FML ske Manufacturing Co., Ltd



YRTE200 Bearing 2D drawings and 3D CAD models

## INA YRTE200 complex bearings

Bearing No. YRTE200

Bore Diameter	200 mm
Outer Diameter	300 mm
d	200 mm
D	300 mm
D1	274 mm
D2	228 mm
C	15 mm
H	45 mm
H3	20 mm
d1	7 mm
d3	7 mm
H1	30 mm
H2	15 mm
J	215 mm
Thread (G)	M8
J1	285 mm