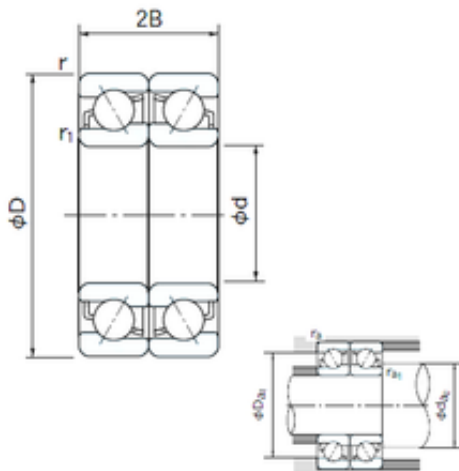




FML ske Manufacturing Co., Ltd



40 mm x 80 mm x 18 mm NACHI 7208DF angular contact ball bearings

Bearing No. 7208DF

7208DF Bearing 2D drawings and 3D CAD models

Size	40x80x18 mm
Bore Diameter	40 mm
Outer Diameter	80 mm
Width	18 mm
d	40 mm
D	80 mm
B	18 mm
C	18 mm
Angle (°)	30 °
a	8.3 mm
r min.	1.1 mm
r1 min.	0.6 mm
2B	36 mm
da min.	45 mm
Da max.	75 mm
ra max.	0.6 mm
Weight	0.380 Kg
Basic dynamic load rating (C)	57,5 kN
Basic static load rating (C0)	50,5 kN
(Grease) Lubrication Speed	6000 r/min
Bore Type	Cylindrical Bore
Enclosure	Open
Configuration	Duplex
Bore Size	40 mm
Outside Diameter	80 mm



FML ske Manufacturing Co., Ltd

Width	18 mm
Fillet Radius/Chamfer	1.1 mm
r1	0.6 mm
Dynamic Load Rating	57,500 N
Static Load Rating	50,500 N
Limiting Speed - Grease	6,000 rpm
Limiting Speed - Oil	8,000 rpm
da1 (min)	47 mm
da2 (min)	45 mm
Da1 (max)	73 mm
Da2 (max)	75 mm
ra (max)	1 mm
ra1 (max)	0.6 mm