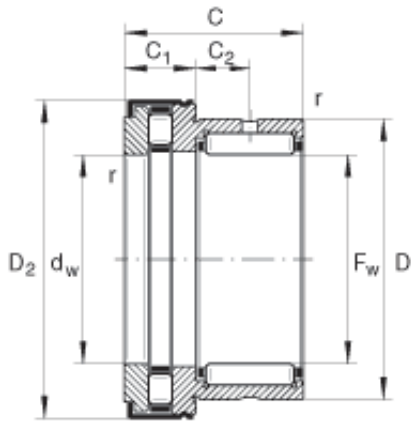




FML ske Manufacturing Co., Ltd



NKXR40-Z Bearing 2D drawings and 3D CAD models

INA NKXR40-Z complex bearings

Bearing No. NKXR40-Z

Size	40x52x32 mm
Bore Diameter	40 mm
Outer Diameter	52 mm
Width	32 mm
F_w	40 mm
D	52 mm
C - 32 mm / Tolerance: -0,25	32 mm / Tolerance: 0,25
C_1 - 13 mm / Tolerance: -0,2	13 mm / Tolerance: 0,2
C_2	10 mm
$D_{2\max}$	61,2 mm
d_a	55,7 mm
d_w	40 mm / Tolerance: E8
$r_{a\max}$	0,6 mm
r_{\min}	0,6 mm
	NAXR40Z / Designation to DIN 5429
m	214 g / Weight
C_r	29500 N / Dynamic load rating (radial)
C_{0r}	47000 N / Static load rating (radial)
C_a	56000 N / Dynamic load rating (axial)
C_{0a}	148000 N / Static load rating (axial)



FML ske Manufacturing Co., Ltd

C_{ur}	8300 N / Fatigue limit load, radial
C_{ua}	14500 N / Fatigue limit load, axial
n_G	6000 1/min / Limiting speed
n_B	2000 1/min / Reference speed
	IR35X40X20 / Suitable inner ring
Category	Ball Bearings
Inventory	0.0
Manufacturer Name	SCHAEFFLER GROUP
Minimum Buy Quantity	N/A
Weight / Kilogram	0.256
Product Group	B00234