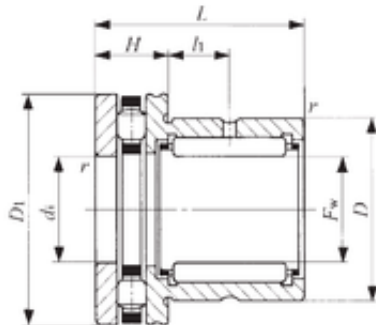




IKO NBX 1523 complex bearings



NBX 1523 Bearing 2D drawings and 3D CAD models

Bearing No. NBX 1523

Bore Diameter	15 mm
Outer Diameter	24 mm
Fw	15 mm
D	24 mm
D1	28 mm
d1	15 mm
r min.	0,3 mm
H	9 mm
L	23 mm
L1	6,5 mm
da min.	26 mm
Weight	0,054 Kg
Dynamic load rating radial (C)	12,3 kN
Dynamic load rating axial (C)	10,2 kN
Static load rating radial (C0)	14,9 kN
Static load rating axial (C0)	23,9 kN