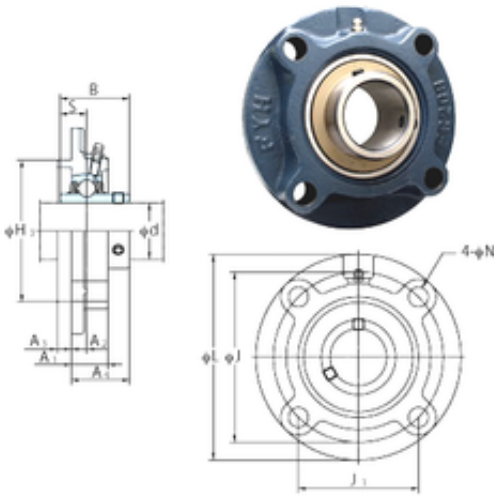




# FML ske Manufacturing Co., Ltd

## FYH UCFC205 bearing units

Bearing No. UCFC205



UCFC205 Bearing 2D drawings and 3D CAD models

Bore Diameter	25 mm
d	25 mm
H3	70 mm
A4	29,8 mm
A1	21 mm
B	34,1 mm
J	90 mm
L	115 mm
N	12 mm
S	14,3 mm
Bolt (G)	M10
A2	10 mm
A3	6 mm
J1	63,6 mm
Weight	0,95 Kg
Basic dynamic load rating (C)	14 kN
Basic static load rating (C0)	7,85 kN
Category	Mounted Units & Inserts
Inventory	0.0
Manufacturer Name	FYH BEARING UNITS
Minimum Buy Quantity	N/A
Weight / Kilogram	0
Product Group	M06110