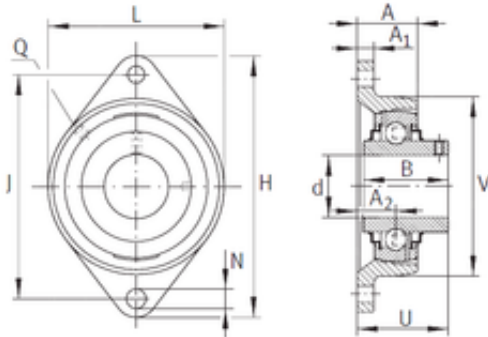




# FML ske Manufacturing Co., Ltd

## INA RCJTY2 bearing units



RCJTY2 Bearing 2D drawings and 3D CAD models

Bearing No. RCJTY2

Bore Diameter	50,8 mm
d	50,8 mm
V	134,493 mm
U	64,389 mm
Thread (Q)	1/8 NPT
A	45,999 mm
A1	16,993 mm
B	55,601 mm
H	226,009 mm
J	183,998 mm
L	134,493 mm
N	16,993 mm
A2	30,988 mm
Category	Flange Block Bearings
Inventory	0.0
Manufacturer Name	SCHAEFFLER GROUP
Minimum Buy Quantity	N/A
Weight / Kilogram	3.473
Product Group	M06110
Number of Mounting Holes	2
Mounting Method	Set Screw
Housing Style	2 Bolt Flange Block
Rolling Element	Ball Bearing
Housing Material	Cast Iron
Expansion / Non-expansion	Non-expansion
Mounting Bolts	0.669 Inch



## FML ske Manufacturing Co., Ltd

Relubricatable	Yes
Insert Part Number	GY1200KRRB
Seals	Double Land Riding Rubber Contact
Housing Configuration	1 Piece Solid
Pilot Configuration	No Pilot
Inch - Metric	Inch
Long Description	2 Bolt Flange Block; 2" Bore; 7.3" Bolt Circle; 7.244" Bolt Spacing; 1 Piece Solid; Set Screw Mount; Cast Iron; Ball Bearing; 2-3/16" Length Thru Bore; Relubricatable; Double Land
Other Features	Single Row   With Grub Screw
Category	Flange Block
UNSPSC	31171501
Harmonized Tariff Code	8483.20.40.40
Noun	Bearing
Keyword String	Flanged
Manufacturer URL	<a href="http://www.ina.com">http://www.ina.com</a>
Manufacturer Item Number	RCJTY2
Weight / LBS	8.6
Nominal Bolt Circle Diameter Round	7.3 Inch   184.2 Millimeter
Length Thru Bore	2.189 Inch   55.6 Millimeter
Cartridge Pilot Depth	0 Inch   0 Millimeter
Cartridge Pilot Diameter	0 Inch   0 Millimeter
Bolt Spacing	7.244 Inch   184 Millimeter
Bore	2 Inch   50.8 Millimeter