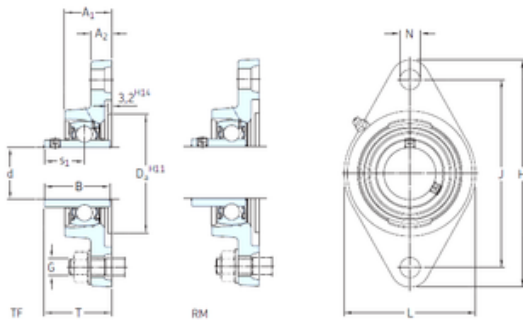




FML ske Manufacturing Co., Ltd



SKF FYT 1.3/8 FM bearing units

Bearing No. FYT 1.3/8 FM

Bore Diameter	34,925 mm
d	34,925 mm
Da	156 mm
s1	50,4 mm
A1	34,5 mm
B1	38,9 mm
G	29,4 mm
H	130,2 mm
J	96 mm
L	14,3 mm
N	12 mm
T	25,5 mm
A2	13 mm
Weight	1,35 Kg
Basic dynamic load rating (C)	15,3 kN
Basic static load rating (C0)	0,655 kN
Category	Flange Block Bearings
Inventory	0.0
Manufacturer Name	SKF
Minimum Buy Quantity	N/A
Weight / Kilogram	1.36
EAN	7316576614644
Product Group	M06110
Number of Mounting Holes	2
Mounting Method	Eccentric Collar
Housing Style	2 Bolt Flange Block

FYT 1.3/8 FM Bearing 2D drawings and 3D CAD models



FML ske Manufacturing Co., Ltd

Rolling Element	Ball Bearing
Housing Material	Cast Iron
Expansion / Non-expansion	Non-expansion
Mounting Bolts	1/2 Inch
Relubricatable	Yes
Insert Part Number	YET 207-106
Seals	M Seal
Housing Configuration	1 Piece Solid
Pilot Configuration	No Pilot
Inch - Metric	Inch
Long Description	2 Bolt Flange Block; 1-3/8" Bore; 5.1" Bolt Circle; 5-1/8" Bolt Spacing; 1 Piece Solid; Eccentric Collar Mount; Cast Iron; Ball Bearing; 1-17/32" Length Thru Bore; Relubricatable;
Other Features	Single Row Standard Duty Narrow Inner Race Open End Y Bearing
Category	Flange Block
UNSPSC	31171501
Harmonized Tariff Code	8483.20.40.40
Noun	Bearing
Keyword String	Flanged
Manufacturer URL	http://www.skf.com
Manufacturer Item Number	FYT 1.3/8 FM
Weight / LBS	3
Cartridge Pilot Depth	0 Inch 0 Millimeter
Nominal Bolt Circle Diameter Round	5.1 Inch 130 Millimeter
Length Thru Bore	1.531 Inch 38.9 Millimeter
Bore	1.375 Inch 34.925 Millimeter
Cartridge Pilot Diameter	0 Inch 0 Millimeter



FML ske Manufacturing Co., Ltd

Bolt Spacing	5.125 Inch 130.18 Millimeter
--------------	-----------------------------------