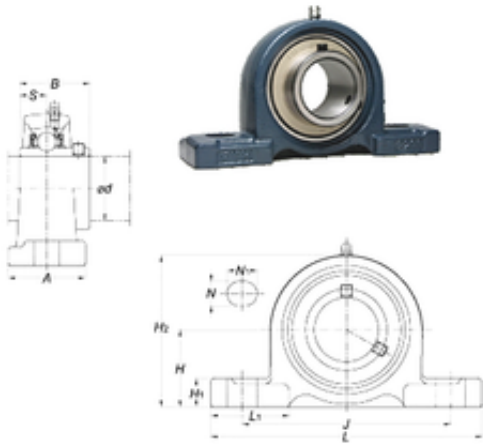




FML ske Manufacturing Co., Ltd

FYH UCP318-56 bearing units



Bearing No. UCP318-56

Bore Diameter	88,9 mm
Width	96 mm
d	88,9 mm
A	110 mm
B	96 mm
H	118 mm
H1	40 mm
H2	234 mm
J	330 mm
L	430 mm
L1	120 mm
N	33 mm
N1	45 mm
S	40 mm
Bolt (G)	M27
Weight	22,8 Kg
Basic dynamic load rating (C)	143 kN
Basic static load rating (C0)	107 kN

UCP318-56 Bearing 2D drawings and 3D CAD models