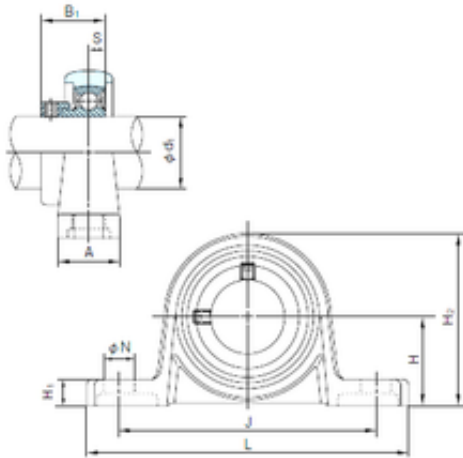




NACHI MUP001 bearing units



Bearing No. MUP001

Bore Diameter	12 mm
Width	19 mm
d	12 mm
A	16 mm
B1	17.5 mm
H	19 mm
H1	6 mm
H2	38 mm
J	56 mm
L	71 mm
N	7 mm
S	4 mm
Bolt (G)	M 6

MUP001 Bearing 2D drawings and 3D CAD models