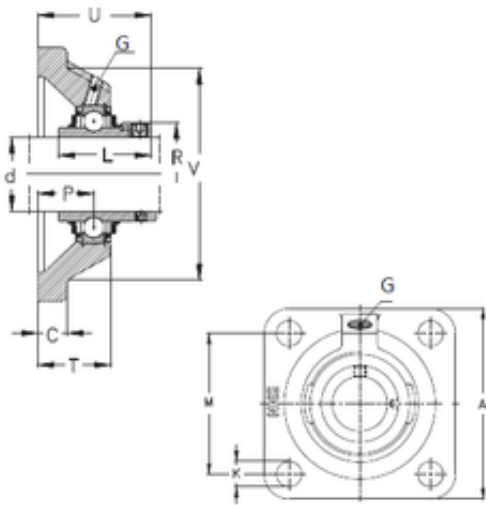




FML ske Manufacturing Co., Ltd



NKE RCJ35-N bearing units

Bearing No. RCJ35-N

Bore Diameter	35 mm
d	35 mm
P	21 mm
V	100 mm
U	53,3 mm
K	14 mm
A	118 mm
C	12,5 mm
L	51,1 mm
M	92 mm
R	51 mm
T	30,5 mm
Thread (G)	R1/8 "

RCJ35-N Bearing 2D drawings and 3D CAD models