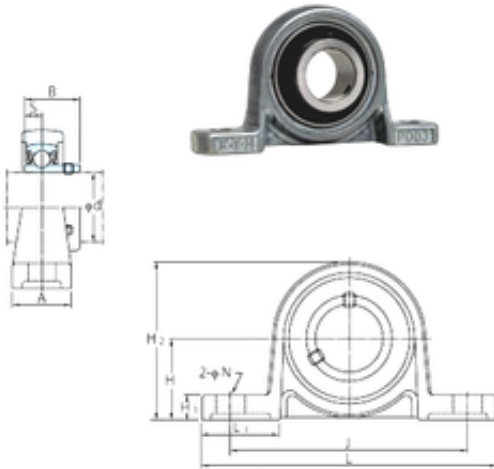




FML ske Manufacturing Co., Ltd

FYH UP005 bearing units

Bearing No. UP005



UP005 Bearing 2D drawings and 3D CAD models

Bore Diameter	25 mm
Width	22 mm
d	25 mm
A	20 mm
B	22 mm
H	32 mm
H1	10 mm
H2	62 mm
J	90 mm
L	112 mm
L1	28 mm
N	10 mm
S	7 mm
Bolt (G)	M8
Weight	0,28 Kg
Basic dynamic load rating (C)	10,1 kN
Basic static load rating (C0)	5,85 kN