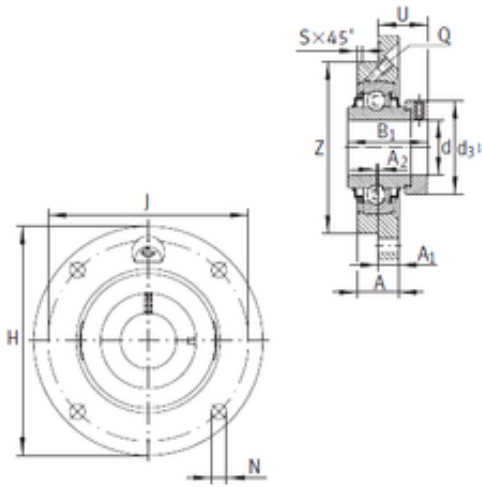




FML ske Manufacturing Co., Ltd



INA RME080 bearing units

Bearing No. RME080

Bore Diameter	80 mm
d	80 mm
U	56,7 mm
Thread (Q)	Rp1/8
Z	200 mm
d3	118 mm
A	50 mm
A1	22 mm
B1	93,6 mm
H	275 mm
J	235 mm
N	22 mm
S	6 mm
A2	3 mm
Weight	12,7 Kg
Basic dynamic load rating (C)	123 kN
Category	Bearings
Inventory	0.0
Manufacturer Name	SCHAEFFLER GROUP
Minimum Buy Quantity	N/A
Weight / Kilogram	12.7
Product Group	M06110

RME080 Bearing 2D drawings and 3D CAD models