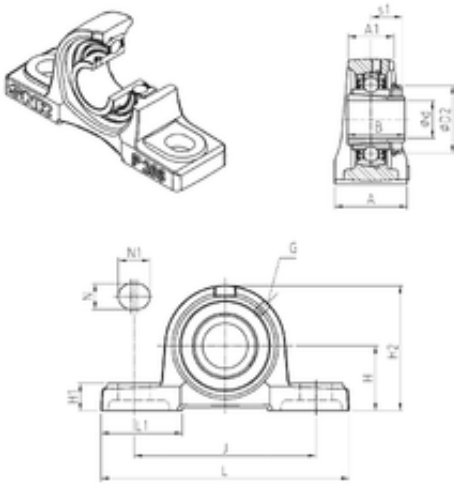




FML ske Manufacturing Co., Ltd



SNR UKP306H bearing units

Bearing No. UKP306H

Bore Diameter	25 mm
d	25 mm
s1	23 mm
A	50 mm
A1	36 mm
B	38 mm
D2	45 mm
H	50 mm
H1	18 mm
H2	95 mm
J	140 mm
L	180 mm
L1	54 mm
N	17 mm
N1	20 mm
Thread (G)	M6x1
Weight	2 Kg
Basic dynamic load rating (C)	27 kN

UKP306H Bearing 2D drawings and 3D CAD models