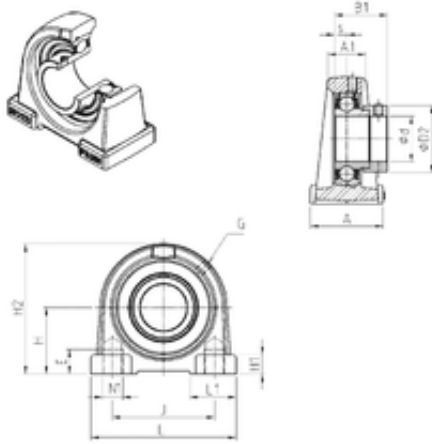




FML ske Manufacturing Co., Ltd



SNR ESPAE208 bearing units

Bearing No. ESPAE208

Bore Diameter	40 mm
d	40 mm
s	11 mm
A	47 mm
A1	30 mm
B1	43,7 mm
D2	60,3 mm
E	15 mm
H	49,2 mm
H1	13 mm
H2	99 mm
J	88,9 mm
L	116 mm
L1	27 mm
Thread (G)	R1/8"
Thread (N1)	M12
Weight	1,6 Kg
Basic dynamic load rating (C)	29,6 kN

ESPAE208 Bearing 2D drawings and 3D CAD models