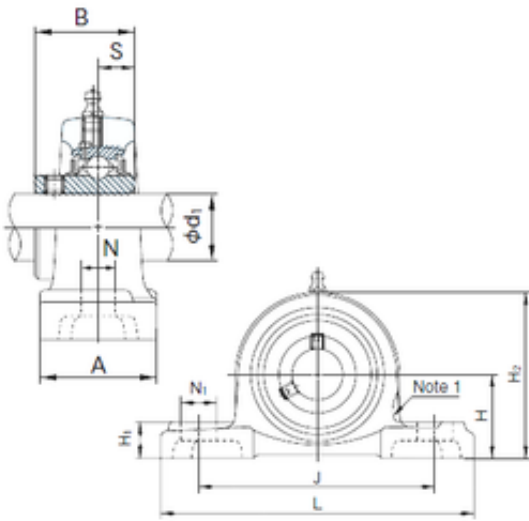




# FML ske Manufacturing Co., Ltd

## NACHI UCP309 bearing units

Bearing No. UCP309



UCP309 Bearing 2D drawings and 3D CAD models

Bore Diameter	45 mm
Width	57 mm
d	45 mm
A	67 mm
B	57 mm
H	67 mm
H1	25 mm
H2	128 mm
J	190 mm
L	245 mm
N	20 mm
N1	30 mm
S	22 mm
Bolt (G)	M16