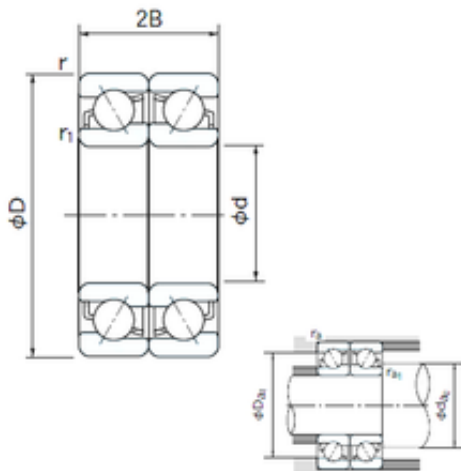




FML ske Manufacturing Co., Ltd



7328DF Bearing 2D drawings and 3D CAD models

140 mm x 300 mm x 62 mm NACHI 7328DF
angular contact ball bearings

Bearing No. 7328DF

Size	140x300x62 mm
Bore Diameter	140 mm
Outer Diameter	300 mm
Width	62 mm
d	140 mm
D	300 mm
B	62 mm
C	62 mm
Angle (°)	30 °
a	32.5 mm
r min.	4 mm
r1 min.	1.5 mm
2B	124 mm
da min.	149 mm
Da max.	291 mm
ra max.	1.5 mm
Weight	21.5 Kg
Basic dynamic load rating (C)	490 kN
Basic static load rating (C0)	670 kN
(Grease) Lubrication Speed	1600 r/min
Bore Type	Cylindrical Bore
Enclosure	Open
Configuration	Duplex
Bore Size	140 mm
Outside Diameter	300 mm



FML ske Manufacturing Co., Ltd

Width	62 mm
Fillet Radius/Chamfer	4 mm
r1	1.5 mm
Dynamic Load Rating	490,000 N
Static Load Rating	670,000 N
Limiting Speed - Grease	1,600 rpm
Limiting Speed - Oil	2,000 rpm
da1 (min)	158 mm
da2 (min)	149 mm
Da1 (max)	282 mm
Da2 (max)	291 mm
ra (max)	3 mm
ra1 (max)	1.5 mm