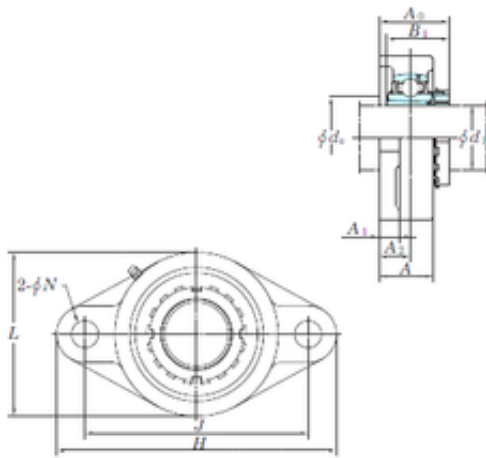




# FML ske Manufacturing Co., Ltd

## KOYO UKFL217 bearing units

Bearing No. UKFL217



UKFL217 Bearing 2D drawings and 3D CAD models

Bore Diameter	76,2 mm
d	76,2 mm
A0	76 mm
d3	96 mm
A	63 mm
A1	22 mm
B1	63 mm
H	305 mm
J	248 mm
L	190 mm
N	25 mm
Bolt (G)	M22
A2	36 mm
Weight	9,9 Kg
Basic dynamic load rating (C)	84 kN
Basic static load rating (C0)	61,9 kN