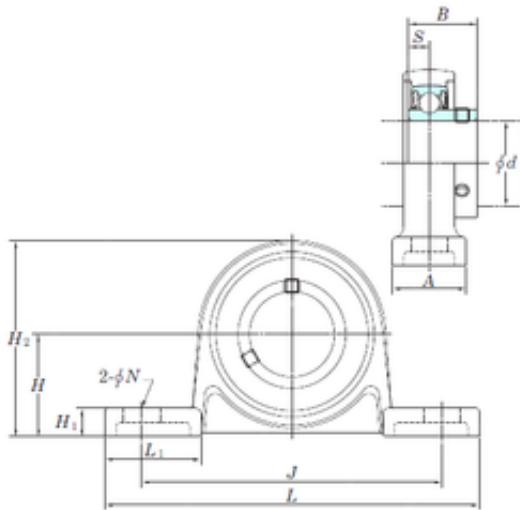




FML ske Manufacturing Co., Ltd



KOYO USP003S6 bearing units

Bearing No. USP003S6

Bore Diameter	17 mm
Width	17,5 mm
d	17 mm
A	18 mm
B	17,5 mm
H	24 mm
H1	6 mm
H2	46 mm
J	67 mm
L	85 mm
L1	21 mm
N	7 mm
S	6 mm
Bolt (G)	M6
Weight	0,14 Kg
Basic dynamic load rating (C)	6 kN
Basic static load rating (C0)	5,1 kN

USP003S6 Bearing 2D drawings and 3D CAD models