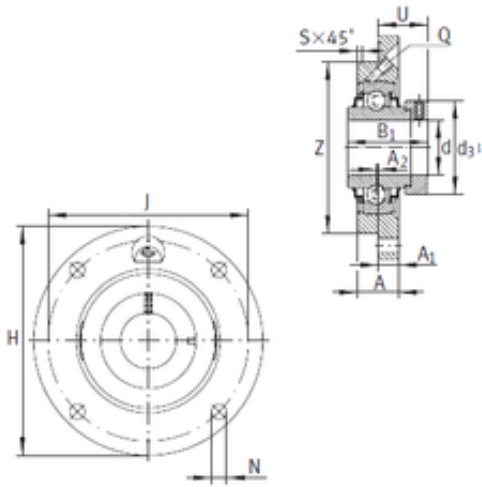




FML ske Manufacturing Co., Ltd



RMEO100 Bearing 2D drawings and 3D CAD models

INA RMEO100 bearing units

Bearing No. RMEO100

| | |
|-------------------------------|-----------------------|
| Bore Diameter | 100 mm |
| d | 100 mm |
| U | 68,5 mm |
| Thread (Q) | Rp1/8 |
| Z | 250 mm |
| d3 | 145 mm |
| A | 57 mm |
| A1 | 27 mm |
| B1 | 109,4 mm |
| H | 340 mm |
| J | 295 mm |
| N | 26 mm |
| S | 8 mm |
| A2 | 1,5 mm |
| Weight | 22,3 Kg |
| Basic dynamic load rating (C) | 174 kN |
| Category | Flange Block Bearings |
| Inventory | 0.0 |
| Manufacturer Name | SCHAEFFLER GROUP |
| Minimum Buy Quantity | N/A |
| Weight / Kilogram | 25.607 |
| EAN | 4012802133950 |
| Product Group | M06110 |
| Number of Mounting Holes | 4 |
| Mounting Method | Eccentric Collar |
| Housing Style | 4 Bolt Round Flange |



FML ske Manufacturing Co., Ltd

| | |
|---------------------------|--|
| | Cartridge |
| Rolling Element | Ball Bearing |
| Housing Material | Cast Iron |
| Expansion / Non-expansion | Non-expansion |
| Mounting Bolts | 26 Millimeter |
| Relubricatable | Yes |
| Insert Part Number | GNE100KRRB-FA107 |
| Seals | Double Land Riding Rubber Contact |
| Housing Configuration | 1 Piece Solid |
| Pilot Configuration | With Pilot |
| Inch - Metric | Metric |
| Long Description | 4 Bolt Round Flange Cartridge; 100MM Bore; 295MM Bolt Circle; 208.6MM Bolt Spacing; 1 Piece Solid; Eccentric Collar Mount; Cast Iron; Ball Bearing; 109.4MM Length Thru Bore; Relubricatable; Double Lan |
| Other Features | Single Row Centering Spigot With Set Screw |
| Category | Flange Block |
| UNSPSC | 31171501 |
| Harmonized Tariff Code | 8483.20.40.40 |
| Noun | Bearing |
| Keyword String | Flanged |
| Manufacturer URL | http://www.ina.com |
| Manufacturer Item Number | RMEO100 |
| Weight / LBS | 49.163 |
| Cartridge Pilot Depth | 0.866 Inch 22 Millimeter |
| Cartridge Pilot Diameter | 9.843 Inch 250 Millimeter |
| Bore | 3.937 Inch 100 Millimeter |
| Bolt Spacing | 8.2 Inch 208.6 Millimeter |
| | |



FML ske Manufacturing Co., Ltd

| | |
|------------------------------------|-------------------------------|
| Nominal Bolt Circle Diameter Round | 11.6 Inch 295 Millimeter |
| Length Thru Bore | 4.307 Inch 109.4 Millimeter |