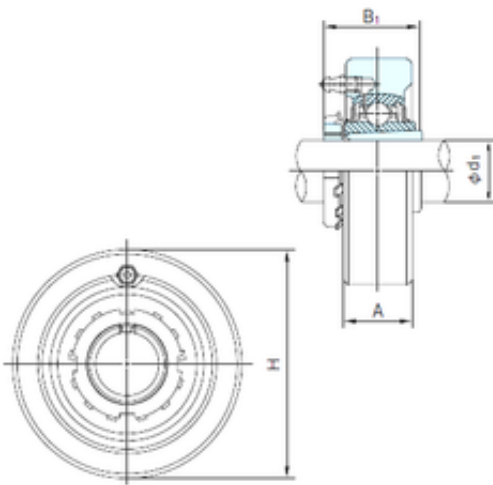




FML ske Manufacturing Co., Ltd

NACHI UKC326+H2326 bearing units

Bearing No. UKC326+H2326



Bore Diameter	115 mm
Width	340 mm
d	115 mm
A	100 mm
B1	121 mm
H	340 mm

UKC326+H2326 Bearing 2D drawings and 3D CAD models