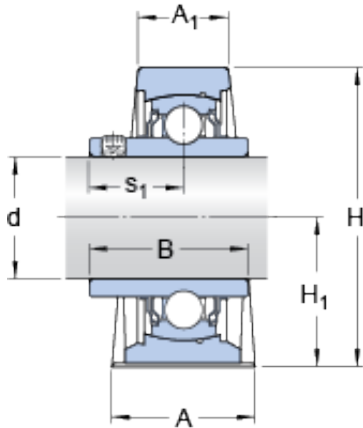




FML ske Manufacturing Co., Ltd



SY 60 TF/VA228 Bearing 2D drawings and 3D CAD models

SKF SY 60 TF/VA228 bearing units

Bearing No. SY 60 TF/VA228

Size	60x60x43 mm
Bore Diameter	60 mm
Outer Diameter	60 mm
Width	43 mm
d	60 mm
A	60 mm
A ₁	43 mm
H	138 mm
H ₁	69.9 mm
H ₂	26.5 mm
L	240 mm
J	190.5 mm
H	29.5 mm
N ₁	18 mm
B	65.1 mm
s ₁	39.7 mm
Basic dynamic load rating - C	52.7 kN
Basic static load rating - C ₀	36 kN
Limiting speed	100 r/min
Limiting temperature - T	350 ° C
Mass bearing unit	4.5 kg
Grub (set) screw - G ₂	M10x1
Hexagonal key size for grub screw - H	5 mm
Recommended tightening	16.5 N · m



FML ske Manufacturing Co., Ltd

torque for grub screw	
Category	Pillow Block Bearings
Inventory	0.0
Manufacturer Name	SKF
Minimum Buy Quantity	N/A
Weight / Kilogram	4.734
EAN	7316571382418
Product Group	M06110
Number of Mounting Holes	2
Mounting Method	Set Screw
Housing Style	2 Bolt Pillow Block
Rolling Element	Ball Bearing
Housing Material	Cast Iron
Expansion / Non-expansion	Non-expansion
Mounting Bolts	16 Millimeter
Relubricatable	Yes
Insert Part Number	YAR 212-2F
Seals	M Seal
Housing Configuration	1 Piece Solid
Inch - Metric	Metric
Other Features	Single Row Standard Duty Wide Inner Race Y Bearing Has Flinger
Long Description	2 Bolt Pillow Block; 60MM Bore; 70MM Base to Center Height; Set Screw Mount; Ball Bearing; Relubricatable; Cast Iron; M Seal; Non- expansion
Category	Pillow Block
UNSPSC	31171511
Harmonized Tariff Code	8483.20.40.40
Noun	Bearing
Keyword String	Pillow Block



FML ske Manufacturing Co., Ltd

Manufacturer URL	http://www.skf.com
Manufacturer Item Number	SY 60 TF/VA228
Weight / LBS	9.81
Bolt Spacing Minimum	0 Inch 0Millimeter
Length Thru Bore	2.563 Inch 65.09 Millimeter
Actual Bolt Center to Center	7.5 Inch 190Millimeter
Bore	2.362 Inch 60 Millimeter
Base to Center Height	2.756 Inch 70 Millimeter
Bolt Spacing Maximum	0 Inch 0Millimeter
Nominal Bolt Center to Center	7.3 Inch 184 Millimeter
mounting:	Two-Bolt Base
overall height:	139.5 mm
bore diameter:	60 mm
finish/coating:	Uncoated
bore type:	Round
radial static load capacity:	36 kN
base to bore centerline:	2.7520 in
base width:	60 mm
housing material:	Cast Iron
bolt center-to-center length:	190.5 mm
locking device:	Set Screw
lubrication type:	Lubrication Fitting
expansion type:	Non-Expansion Bearing (Fixed)
series:	SY
overall length:	240 mm
standards met:	ISO
A ₁	43 mm
H ₁	69.9 mm
H ₂	26.5 mm



FML ske Manufacturing Co., Ltd

N	29.5 mm
N ₁	18 mm
s ₁	39.7 mm
Basic dynamic load rating C	52.7 kN
Basic static load rating C ₀	36 kN
Limiting temperature T max.	350 ° C
Grub (set) screw G ₂	M10x1
Hexagonal key size for grub screw N	5 mm
Attachment bolts, recommended metric size G	16 mm
Bearing	YAR 212-2FW/VA228