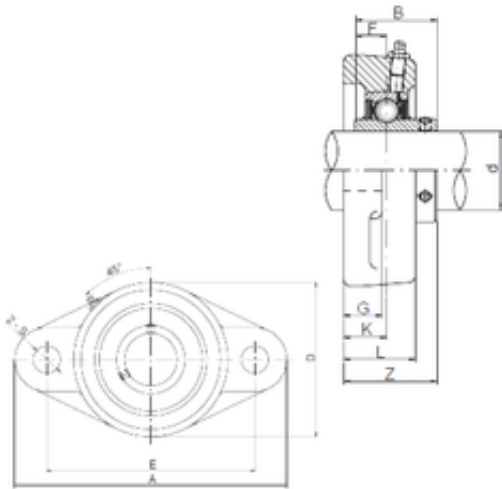




FML ske Manufacturing Co., Ltd

35 mm x 90 mm x 42,9 mm ISO UCFL207 bearing units

Bearing No. UCFL207



| | |
|---------------|---------|
| Bore Diameter | 35 mm |
| d | 35 mm |
| B | 42,9 mm |
| Z | 44,4 mm |
| A | 161 mm |
| D | 90 mm |
| E | 130 mm |
| F | 17,5 mm |
| G | 14 mm |
| K | 19 mm |
| L | 34 mm |
| S | 16 mm |
| Bolt (G) | M14 |

UCFL207 Bearing 2D drawings and 3D CAD models