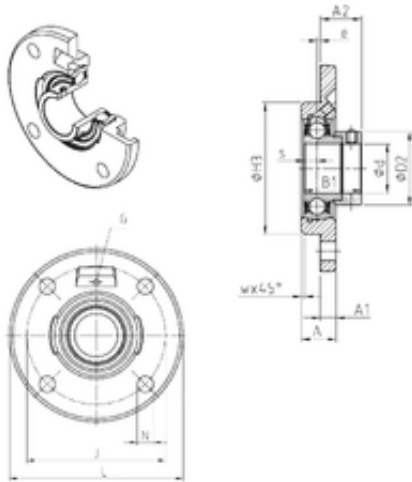




FML ske Manufacturing Co., Ltd



SNR ESFCE205 bearing units

Bearing No. ESFCE205

| | |
|-------------------------------|---------|
| Bore Diameter | 25 mm |
| d | 25 mm |
| H3 | 70 mm |
| e | 2,5 mm |
| s | 7,5 mm |
| A | 20 mm |
| A1 | 9 mm |
| B1 | 30,9 mm |
| D2 | 38,1 mm |
| J | 90 mm |
| L | 115 mm |
| N | 9 mm |
| W | 2 mm |
| Thread (G) | M6x1 |
| A2 | 20,9 mm |
| Weight | 0,8 Kg |
| Basic dynamic load rating (C) | 14 kN |

ESFCE205 Bearing 2D drawings and 3D CAD models