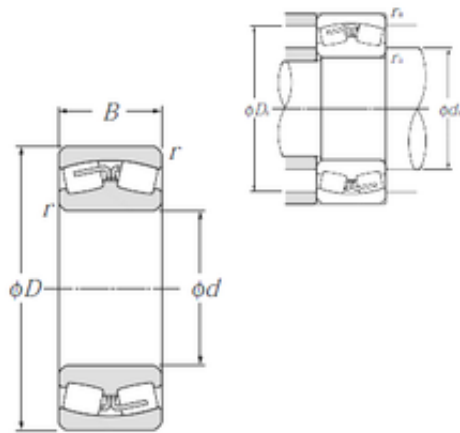




FML ske Manufacturing Co., Ltd

180 mm x 250 mm x 52 mm NTN 23936 spherical roller bearings



Bearing No. 23936

23936 Bearing 2D drawings and 3D CAD models

Size	180x250x52 mm
Bore Diameter	180 mm
Outer Diameter	250 mm
Width	52 mm
d	180 mm
D	250 mm
B	52 mm
C	52 mm
r min.	2 mm
da min.	190 mm
Da max.	240 mm
ra max.	2 mm
Weight	8,21 Kg
Basic dynamic load rating (C)	440 kN
Basic static load rating (C0)	835 kN
(Grease) Lubrication Speed	1 400 r/min
(Oil) Lubrication Speed	1 800 r/min
Calculation factor (e)	0,19
Calculation factor (Y0)	3,45
Calculation factor (Y1)	3,52
Category	Bearings
Inventory	0.0
Manufacturer Name	NTN
Minimum Buy Quantity	N/A
Weight / Kilogram	7.86



FML ske Manufacturing Co., Ltd

Product Group	B04311
---------------	--------