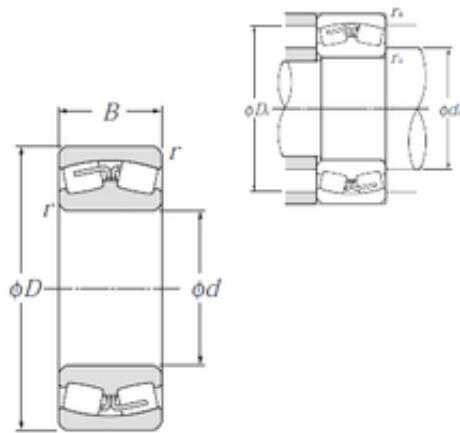


95 mm x 170 mm x 43 mm NTN 22219B spherical roller bearings



Bearing No. 22219B

22219B Bearing 2D drawings and 3D CAD models

Size	95x170x43 mm
Bore Diameter	95 mm
Outer Diameter	170 mm
Width	43 mm
d	95 mm
D	170 mm
B	43 mm
C	43 mm
r min.	2,1 mm
da min.	107 mm
Da max.	158 mm
ra max.	2 mm
Weight	4,1 Kg
Basic dynamic load rating (C)	294 kN
Basic static load rating (C0)	390 kN
(Grease) Lubrication Speed	2 500 r/min
(Oil) Lubrication Speed	3 300 r/min
Calculation factor (e)	0,26
Calculation factor (Y0)	2,57
Calculation factor (Y1)	2,63
Category	Bearings
Inventory	0.0
Manufacturer Name	NTN
Minimum Buy Quantity	N/A
Weight / Kilogram	4.12



FML ske Manufacturing Co., Ltd

Product Group	B04311
---------------	--------