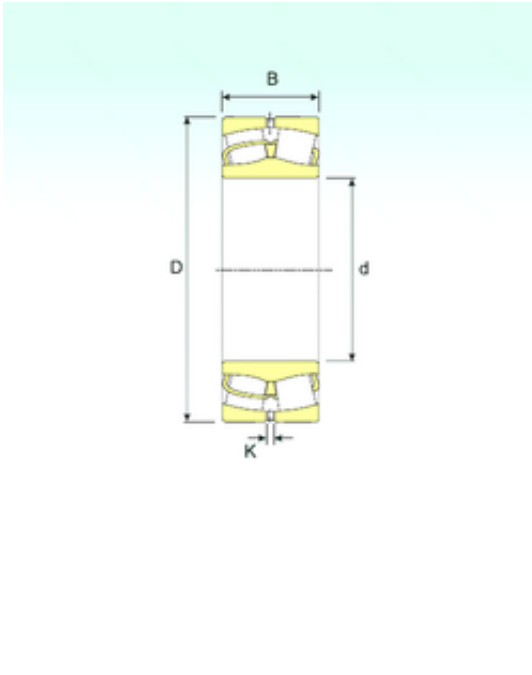




# FML ske Manufacturing Co., Ltd



239/560 Bearing 2D drawings and 3D CAD models

560 mm x 750 mm x 140 mm ISB 239/560  
spherical roller bearings

Bearing No. 239/560

Size	560x750x140 mm
Bore Diameter	560 mm
Outer Diameter	750 mm
Width	140 mm
d	560 mm
D	750 mm
B	140 mm
C	140 mm
K	12 mm
Weight	175 Kg
Basic dynamic load rating (C)	3381 kN
Basic static load rating (C0)	7056 kN
(Grease) Lubrication Speed	650,25 r/min