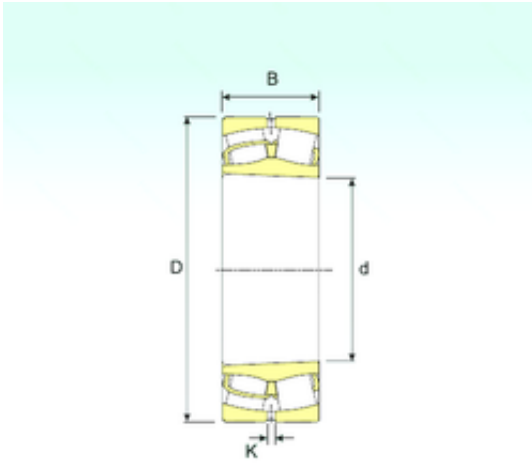




# FML ske Manufacturing Co., Ltd



24138 K30 Bearing 2D drawings and 3D CAD models

190 mm x 320 mm x 128 mm ISB 24138 K30  
spherical roller bearings

Bearing No. 24138 K30

Size	190x320x128 mm
Bore Diameter	190 mm
Outer Diameter	320 mm
Width	128 mm
d	190 mm
D	320 mm
B	128 mm
C	128 mm
K	6 mm
Weight	43 Kg
Basic dynamic load rating (C)	1568 kN
Basic static load rating (C0)	2450 kN
(Grease) Lubrication Speed	1224 r/min