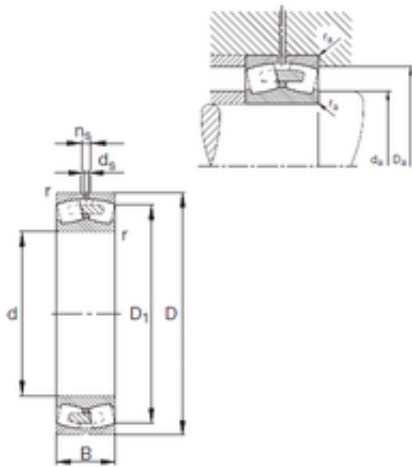




FML ske Manufacturing Co., Ltd

440 mm x 720 mm x 226 mm FAG 23188-E1A-MB1 spherical roller bearings



Bearing No. 23188-E1A-MB1

23188-E1A-MB1 Bearing 2D drawings and 3D CAD models

Size	440x720x226 mm
Bore Diameter	440 mm
Outer Diameter	720 mm
Width	226 mm
d	440 mm
D	720 mm
B	226 mm
C	226 mm
n	23,5 mm
r min.	6 mm
D1	630,2 mm
da min.	466 mm
Da max.	694 mm
ra max.	5 mm
d5	12,5 r/min
Weight	366 Kg
Basic dynamic load rating (C)	6200 kN
Basic static load rating (C0)	10200 kN
Fatigue load limit (Pu)	680
Reference speed	435 r/min
Limiting speed	940 r/min
Calculation factor (e)	0,3
Calculation factor (Y0)	2,2
Calculation factor (Y1)	2,25
Calculation factor (Y2)	3,34



FML ske Manufacturing Co., Ltd