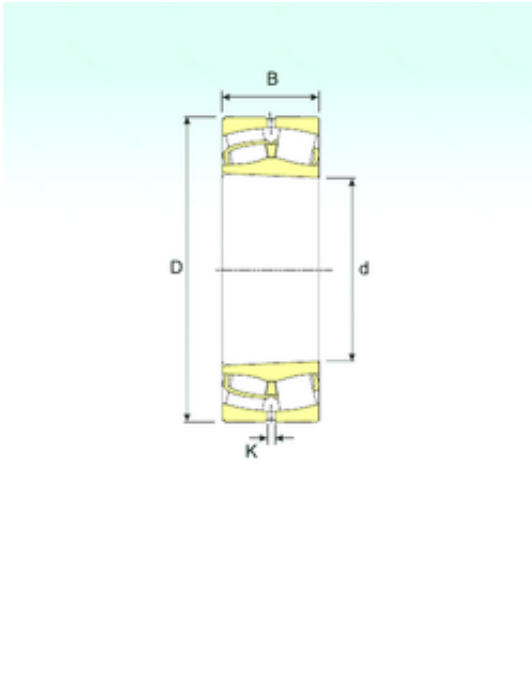




# FML ske Manufacturing Co., Ltd



23172 K Bearing 2D drawings and 3D CAD models

360 mm x 600 mm x 192 mm ISB 23172 K  
spherical roller bearings

Bearing No. 23172 K

Size	360x600x192 mm
Bore Diameter	360 mm
Outer Diameter	600 mm
Width	192 mm
d	360 mm
D	600 mm
B	192 mm
C	192 mm
K	12 mm
Weight	220 Kg
Basic dynamic load rating (C)	4214 kN
Basic static load rating (C0)	6811 kN
(Grease) Lubrication Speed	765 r/min