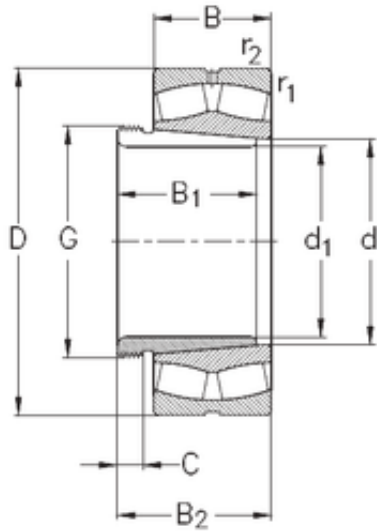




FML ske Manufacturing Co., Ltd



340 mm x 620 mm x 224 mm NKE 23268-K-MB-W33+AH23268 spherical roller bearings

Bearing No. 23268-K-MB-W33+AH23268

23268-K-MB-W33+AH23268 Bearing 2D drawings and 3D CAD models

Size	340x620x224 mm
Bore Diameter	340 mm
Outer Diameter	620 mm
Width	224 mm
d	340 mm
d1	320 mm
D	620 mm
B	224 mm
C	224 mm
r1 min.	6 mm
r2 min.	6 mm
B1	264 mm
B2	273 mm
C	38 mm
Thread (G)	Tr 370x5
Weight	323 Kg
Basic dynamic load rating (C)	4430 kN
Basic static load rating (C0)	7560 kN
Limiting speed	800 r/min
Calculation factor (e)	0,37
Calculation factor (Y0)	1,7
Calculation factor (Y1)	1,8