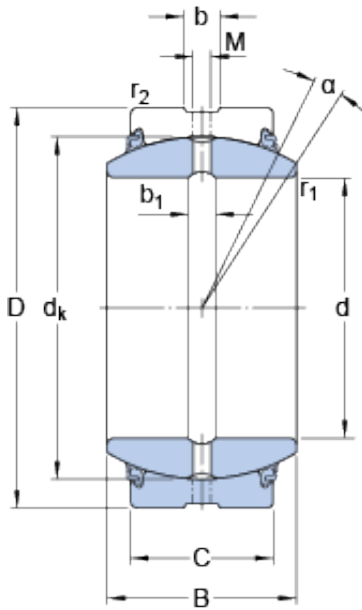




FML ske Manufacturing Co., Ltd

69.85 mm x 111.125 mm x 61.112 mm SKF GEZ 212 ES-2LS plain bearings

Bearing No. GEZ 212 ES-2LS



GEZ 212 ES-2LS Bearing 2D drawings and 3D CAD models

Size	111.125x69.85x61.112 mm
Bore Diameter	111,125 mm
Outer Diameter	69,85 mm
Width	61,112 mm
d	69.85 mm
D	111.125 mm
B	61.112 mm
C	52.375 mm
	6 °
d _k	100.33 mm
b	9 mm
b ₁	8 mm
M	6.5 mm
r ₁ - min.	0.6 mm
r ₂ - min.	1 mm
d _a - min.	74.9 mm
d _a - max.	79.6 mm
D _a - min.	96 mm
D _a - max.	105.7 mm
r _a - max.	0.6 mm
r _b - max.	1 mm
Basic dynamic load rating - C	425 kN
Basic static load rating - C ₀	1270 kN
Specific factor dinamic load - K	100 N/mm ²



FML ske Manufacturing Co., Ltd

Specific factor static load - K_0	300 N/mm ²
Constant - K_M	330
Lubricant	Regular relubrication – grease
Design (sliding contact surface combination)	Steel/steel
Sealing solution	Triple-lip seals
	6 °
d_k	100.33 mm
b_1	8 mm
r_1 min.	0.6 mm
r_2 min.	1 mm
d_a min.	74.9 mm
d_a max.	79.6 mm
D_a min.	96 mm
D_a max.	105.7 mm
r_a max.	0.6 mm
r_b max.	1 mm
Basic dynamic load rating C	425 kN
Basic static load rating C_0	1270 kN
Specific dynamic load factor K	100 N/mm ²
Specific static load factor K_0	300 N/mm ²
Material constant K_M	330
Mass plain bearing	2.4 kg