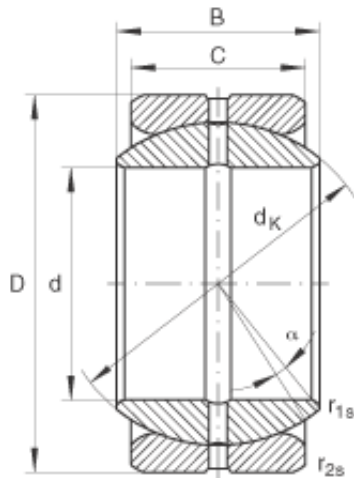




FML ske Manufacturing Co., Ltd



INA GE25-ZO plain bearings

Bearing No. GE25-ZO

Size	25.4x41.275x22.225 mm
Bore Diameter	25,4 mm
Outer Diameter	41,275 mm
Width	22,225 mm
C	19,05 mm
$D_{a \min}$	31,5 mm
$d_{a \max}$	27,6 mm
d_K	35,5 mm
$r_{1s \min}$	0,3 mm
$r_{2s \min}$	0,6 mm
alf (°)	6
Weight (kg)	0,12
C_r (N)	54000
C_{Or} (N)	162000
Category	Spherical Plain Bearings - Radial
Inventory	0.0
Manufacturer Name	SCHAEFFLER GROUP
Minimum Buy Quantity	N/A
Weight / Kilogram	0.144
Product Group	B04264
Self Aligning	Yes
Rolling Element	Spherical Plain
Material - Outer Member	Steel
Material - Ball	Steel
Material - Liner	Not Applicable

GE25-ZO Bearing 2D drawings and 3D CAD models



FML ske Manufacturing Co., Ltd

Relubricatable	Yes
Enclosure	Open
Other Features	2 Piece Single Axial Split in Outer Ring
Long Description	1" Bore; 3/4" Housing Width; 1-5/8" Outside Diameter; Steel Outer Member; Steel Ball; No Liner; 7/8" Overall Width; Relubricatable
Inch - Metric	Inch
Category	Plain Bearings Spherical Radial
UNSPSC	31171515
Harmonized Tariff Code	8483.30.80.70
Noun	Bearing
Keyword 3	Spherical
Keyword String	Plain Spherical Radial
Manufacturer URL	http://www.ina.com
Manufacturer Item Number	GE25ZOHLG
Weight / LBS	0.276
Overall Width	0.875 Inch 22.225 Millimeter
Bore	1 Inch 25.4 Millimeter
Housing Width	0.75 Inch 19.05 Millimeter
Outside Diameter	1.625 Inch 41.275 Millimeter