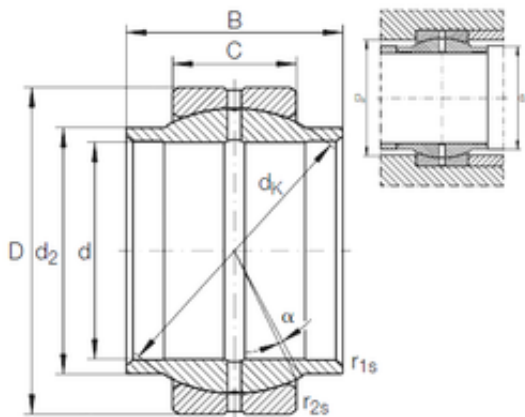




FML ske Manufacturing Co., Ltd

25 mm x 42 mm x 25 mm INA GE 25 LO plain bearings

Bearing No. GE 25 LO



GE 25 LO Bearing 2D drawings and 3D CAD models

Size	25x42x25 mm
Bore Diameter	25 mm
Outer Diameter	42 mm
Width	25 mm
d	25 mm
D	42 mm
B	25 mm
C	16 mm
d2	30 mm
dk	35,5 mm
r1 min.	0,6 mm
r2 min.	0,6 mm
da max	30 mm
Da min	33 mm
Angle	4 °
Weight	0,12 Kg
Basic dynamic load rating (C)	48 kN