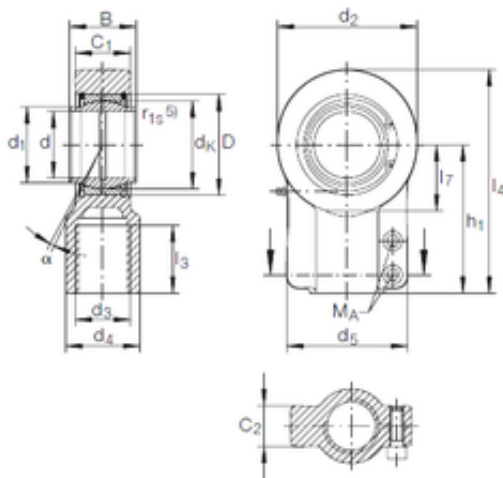




# FML ske Manufacturing Co., Ltd



## 100 mm x 150 mm x 100 mm INA GIHNRK 100 LO plain bearings

Bearing No. GIHNRK 100 LO

GIHNRK 100 LO Bearing 2D drawings and 3D CAD models

Size	100x150x100 mm
Bore Diameter	100 mm
Outer Diameter	150 mm
Width	100 mm
d	100 mm
D	150 mm
B	100 mm
Screw	M20X60
d1	113 mm
d2	210 mm
d4	110 mm
dk	130 mm
h1	210 mm
l3 min.	96 mm
l4 max.	322 mm
l7 min.	98 mm
C1	84 mm
Thread (G)	M80X3
Angle	4 °
d5	178 r/min
C2	62 mm
Weight	28 Kg
Basic dynamic load rating (C)	610 kN