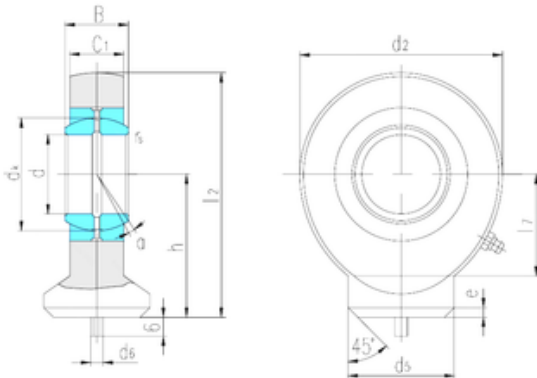




FML ske Manufacturing Co., Ltd



LS SK50ES plain bearings

Bearing No. SK50ES

Bore Diameter	50 mm
d	50 mm
B	35 mm
d2	112 mm
d6	6 mm
dk	66 mm
h	88 mm
l1 min.	144 mm
l2 max.	59 mm
l7 min.	62 mm
r min.	0,6 mm
C1	30 mm
Angle	6 °
d5	6 r/min
Weight	2,69 Kg
Basic dynamic load rating (C)	156 kN

SK50ES Bearing 2D drawings and 3D CAD models