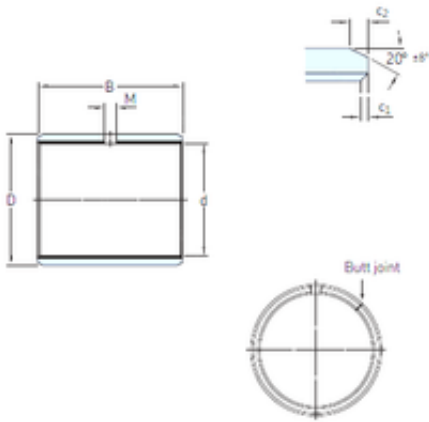




FML ske Manufacturing Co., Ltd

100 mm x 105 mm x 115 mm SKF PCM 100105115 E plain bearings



Bearing No. PCM 100105115 E

Size	100x105x115 mm
Bore Diameter	100 mm
Outer Diameter	105 mm
Width	115 mm
d	100 mm
D	105 mm
B	115 mm
c1 min	0,2 mm
c2 min	1,2 mm
M	– mm
Weight	0,69 Kg
Basic dynamic load rating (C)	915 kN
Category	Bearings
Inventory	0.0
Manufacturer Name	SKF
Minimum Buy Quantity	N/A
Weight / Kilogram	0.697
Product Group	B04264
c ₁ min.	0.2 mm
c ₁ max.	1 mm
c ₂ min.	1.2 mm
c ₂ max.	2.4 mm
± 8	20 °
Tolerance shaft	h8
Tolerance housing	H7

PCM 100105115 E Bearing 2D drawings and 3D CAD models



FML ske Manufacturing Co., Ltd

Basic dynamic load rating - radial direction C	915 kN
Basic static load rating - radial direction C ₀	2850 kN
Specific dynamic load factor K	80 N/mm ²
Specific static load factor K ₀	250 N/mm ²
Factor depending on material and bearing type K _M	480
Permissible sliding velocity v min.	0 m/s
Permissible sliding velocity v max.	2 m/s
Coefficient of friction μ min.	0.03
Coefficient of friction μ max.	0.25
Mass bushing	0.69 kg