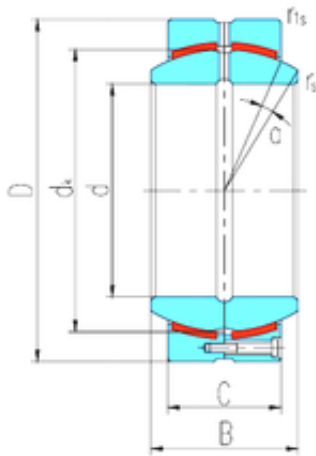




# FML ske Manufacturing Co., Ltd



180 mm x 260 mm x 128 mm LS GEH180HCS  
plain bearings

Bearing No. GEH180HCS

Size	180x260x128 mm
Bore Diameter	180 mm
Outer Diameter	260 mm
Width	128 mm
d	180 mm
D	260 mm
B	128 mm
C	122 mm
dk	240 mm
r min.	1,1 mm
r1 min.	1,1 mm
Angle	2 °
Weight	26,7 Kg
Basic dynamic load rating (C)	2920 kN

GEH180HCS Bearing 2D drawings and 3D CAD models