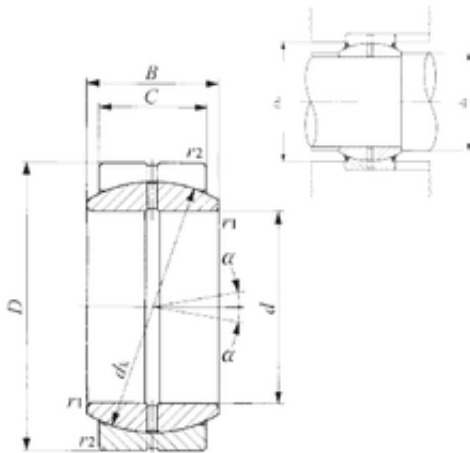




# FML ske Manufacturing Co., Ltd

## 140 mm x 210 mm x 90 mm IKO GE 140ES plain bearings



Bearing No. GE 140ES

Size	140x210x90 mm
Bore Diameter	140 mm
Outer Diameter	210 mm
Width	90 mm
d	140 mm
D	210 mm
B	90 mm
C	70 mm
dk	180 mm
r1 min.	1 mm
r2 min.	1 mm
da min.	145,5 mm
da max	155,5 mm
Da min	204,5 mm
Da max.	176 mm
Angle	7 °
Weight	11,4 Kg
Basic dynamic load rating (C)	1240 kN

GE 140ES Bearing 2D drawings and 3D CAD models