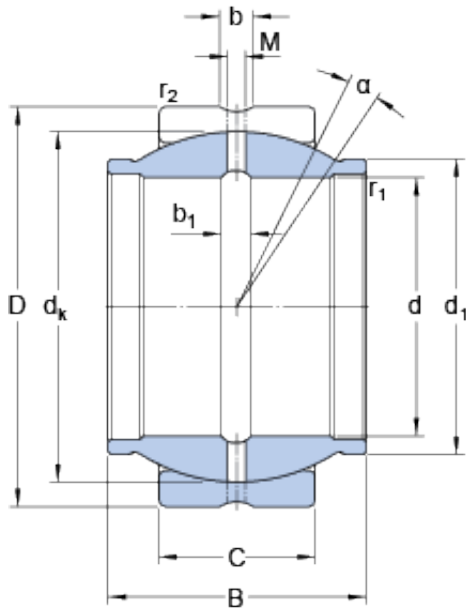




# FML ske Manufacturing Co., Ltd



GEG 16 ES Bearing 2D drawings and 3D CAD models

## 16 mm x 28 mm x 16 mm SKF GEG 16 ES plain bearings

Bearing No. GEG 16 ES

Size	28x16x16 mm
Bore Diameter	28 mm
Outer Diameter	16 mm
Width	16 mm
d	16 mm
D	28 mm
B	16 mm
C	9 mm
	4 °
d <sub>k</sub>	23 mm
d <sub>1</sub>	20 mm
b	2.3 mm
b <sub>1</sub>	2.3 mm
M	1.5 mm
r <sub>1</sub> - min.	0.3 mm
r <sub>2</sub> - min.	0.3 mm
d <sub>a</sub> - min.	18.7 mm
d <sub>a</sub> - max.	20 mm
D <sub>a</sub> - min.	21.9 mm
D <sub>a</sub> - max.	26.3 mm
r <sub>a</sub> - max.	0.3 mm
r <sub>b</sub> - max.	0.3 mm
Basic dynamic load rating - C	17.6 kN
Basic static load rating - C <sub>0</sub>	88 kN



## FML ske Manufacturing Co., Ltd

Specific factor dinamic load - K	100 N/mm <sup>2</sup>
Specific factor static load - K <sub>0</sub>	500 N/mm <sup>2</sup>
Constant - K <sub>M</sub>	330
Category	Spherical Plain Bearings - Radial
Inventory	0.0
Manufacturer Name	SKF
Minimum Buy Quantity	N/A
Weight / Kilogram	0.037
EAN	7316577003140
Product Group	B04264
Self Aligning	Yes
Rolling Element	Spherical Plain
Material - Outer Member	Steel
Material - Ball	Steel
Material - Liner	Not Applicable
Relubricatable	Yes
Enclosure	Open
Other Features	2 Piece   Extended Inner Ring on Both Sides   Lubrication Hole and an Annular Groove in Both Rings
Long Description	16MM Bore; 9MM Housing Width; 28MM Outside Diameter; Spherical Plain; Steel Outer Member; Steel Ball; No Liner; 16MM Overall Width; Relubricatable
Inch - Metric	Metric
Category	Plain Bearings Spherical Radial
UNSPSC	31171515



## FML ske Manufacturing Co., Ltd

Harmonized Tariff Code	8483.30.80.70
Noun	Bearing
Keyword 3	Spherical
Keyword String	Plain Spherical Radial
Manufacturer URL	<a href="http://www.skf.com">http://www.skf.com</a>
Manufacturer Item Number	GEG 16 ES
Weight / LBS	0.077
Outside Diameter	1.102 Inch   28 Millimeter
Overall Width	0.63 Inch   16 Millimeter
Bore	0.63 Inch   16 Millimeter
Housing Width	0.354 Inch   9 Millimeter
bore diameter:	16 mm
inner ring material:	Steel
outside diameter:	28 mm
outer ring width:	9 mm
misalignment angle:	4 °
overall width:	16 mm
inner ring width:	16 mm
radial static load capacity:	88 kN
bearing type:	Radial
radial dynamic load capacity:	17.6 kN
lubrication type:	Requires Lubrication
operating temperature range:	-50 to +200 ° C ° F
closure type:	Open
manufacturer upc number:	7316577003140
outer ring material:	Steel
Lubricant	Regular relubrication – grease
Design (sliding contact surface combination)	Steel/steel
Sealing solution	-



## FML ske Manufacturing Co., Ltd

	4 °
$d_k$	23 mm
$d_1$	20 mm
$b_1$	2.3 mm
$r_1$ min.	0.3 mm
$r_2$ min.	0.3 mm
$d_a$ min.	18.7 mm
$d_a$ max.	20 mm
$D_a$ min.	21.9 mm
$D_a$ max.	26.3 mm
$r_a$ max.	0.3 mm
$r_b$ max.	0.3 mm
Basic dynamic load rating C	17.6 kN
Basic static load rating $C_0$	88 kN
Specific dynamic load factor K	100 N/mm <sup>2</sup>
Specific static load factor $K_0$	500 N/mm <sup>2</sup>
Material constant $K_M$	330
Mass plain bearing	0.035 kg