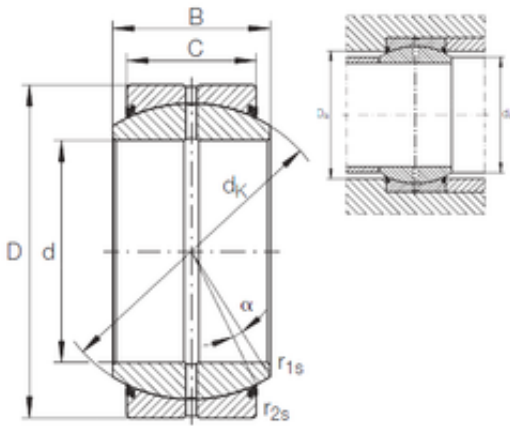




FML ske Manufacturing Co., Ltd

100 mm x 150 mm x 70 mm INA GE 100 DO-2RS plain bearings

Bearing No. GE 100 DO-2RS



GE 100 DO-2RS Bearing 2D drawings and 3D CAD models

Size	100x150x70 mm
Bore Diameter	100 mm
Outer Diameter	150 mm
Width	70 mm
d	100 mm
D	150 mm
B	70 mm
C	55 mm
dk	130 mm
r1 min.	1 mm
r2 min.	1 mm
da max	109,5 mm
Da min	123 mm
Angle	7 °
Weight	4,3 Kg
Basic dynamic load rating (C)	610 kN