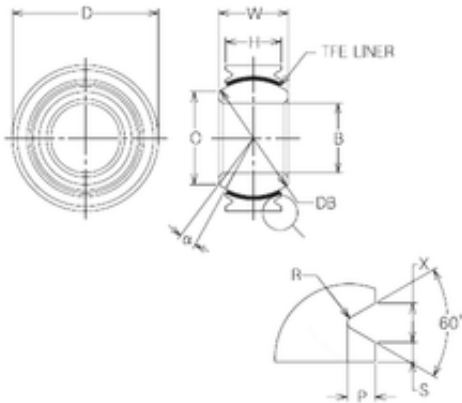




FML ske Manufacturing Co., Ltd

16 mm x 30 mm x 16 mm NMB MBT16V plain bearings

Bearing No. MBT16V



MBT16V Bearing 2D drawings and 3D CAD models

Size	16x30x16 mm
Bore Diameter	16 mm
Outer Diameter	30 mm
Width	16 mm
d	16 mm
D	30 mm
B	16 mm
C	12,5 mm
P	1,5 mm
Db	24,606 mm
X	2 mm
O	18,7 mm
B	16 mm
D	30 mm
H	12,5 mm
R	0,5 mm
S	0,7 mm
W	16 mm
Angle	10 °
Weight	0,053 Kg
Basic dynamic load rating (C)	54,91 kN
Static load rating radial (C0)	123,56 kN