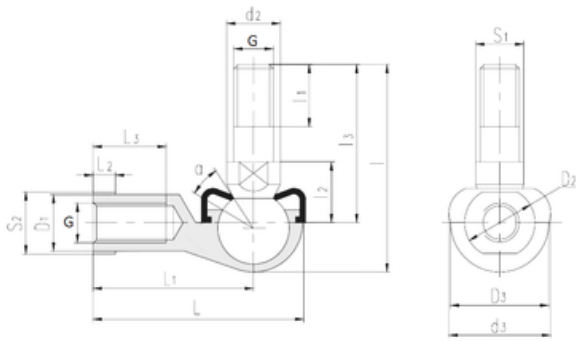




FML ske Manufacturing Co., Ltd



LS SQ18-RS plain bearings

Bearing No. SQ18-RS

S1	20 mm
L2	10 mm
L3	34 mm
L	90 mm
d2	23 mm
d3	45 mm
L1 min.	25 mm
L2 max.	26,5 mm
L3 min.	68 mm
D1	25 mm
D2	31 mm
D3	44 mm
L	93 mm
L1	71 mm
S2	27 mm
Thread (G)	M18 × 1,5
Angle	20 °
Weight	0,464 Kg

SQ18-RS Bearing 2D drawings and 3D CAD models