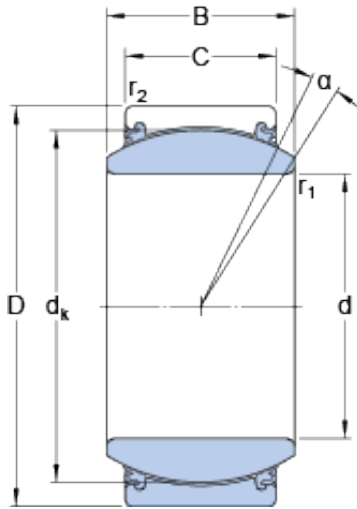




# FML ske Manufacturing Co., Ltd



GE 20 TXE-2LS Bearing 2D drawings and 3D CAD models

20 mm x 35 mm x 16 mm SKF GE 20 TXE-2LS plain bearings

Bearing No. GE 20 TXE-2LS

Size	35x20x16 mm
Bore Diameter	35 mm
Outer Diameter	20 mm
Width	16 mm
d	20 mm
D	35 mm
B	16 mm
C	12 mm
	9 °
d <sub>k</sub>	29 mm
r <sub>1</sub> - min.	0.3 mm
r <sub>2</sub> - min.	0.3 mm
d <sub>a</sub> - min.	22.1 mm
d <sub>a</sub> - max.	24.2 mm
D <sub>a</sub> - min.	27.6 mm
D <sub>a</sub> - max.	33.2 mm
r <sub>a</sub> - max.	0.3 mm
r <sub>b</sub> - max.	0.3 mm
Basic dynamic load rating - C	83 kN
Basic static load rating - C <sub>0</sub>	140 kN
Specific factor dynamic load - K	300 N/mm <sup>2</sup>
Specific factor static load - K <sub>0</sub>	500 N/mm <sup>2</sup>
Category	Spherical Plain Bearings -



## FML ske Manufacturing Co., Ltd

	Radial
Inventory	0.0
Manufacturer Name	SKF
Minimum Buy Quantity	N/A
Weight / Kilogram	0.06
Product Group	B04264
Self Aligning	Yes
Rolling Element	Spherical Plain
Material - Outer Member	Steel
Material - Ball	Steel
Material - Liner	Teflon
Relubricatable	No
Enclosure	2 Seals
Other Features	2 Piece   Maintenance Free   Chrome Plated Ball   Self Lubricating   Triple Lip Heavy Duty Seals
Long Description	20MM Bore; 12MM Housing Width; 35MM Outside Diameter; Spherical Plain; Steel Outer Member; Steel Ball; Teflon Liner; 16MM Overall Width; Not Relubricatable
Inch - Metric	Metric
Category	Plain Bearings Spherical Radial
UNSPSC	31171515
Harmonized Tariff Code	8483.30.80.70
Noun	Bearing
Keyword 3	Spherical
Keyword String	Plain Spherical Radial
Manufacturer URL	<a href="http://www.skf.com">http://www.skf.com</a>
Manufacturer Item Number	GE 20 TXE-2LS
Weight / LBS	0.143



## FML ske Manufacturing Co., Ltd

Housing Width	0.472 Inch   12 Millimeter
Outside Diameter	1.378 Inch   35 Millimeter
Bore	0.787 Inch   20 Millimeter
Overall Width	0.63 Inch   16 Millimeter
Lubricant	Maintenance free – dry lubrication
Design (sliding contact surface combination)	Steel/PTFE fabric
Sealing solution	Triple-lip seals
	9 °
$d_k$	29 mm
$r_1$ min.	0.3 mm
$r_2$ min.	0.3 mm
$d_a$ min.	22.1 mm
$d_a$ max.	24.2 mm
$D_a$ min.	27.6 mm
$D_a$ max.	33.2 mm
$r_a$ max.	0.3 mm
$r_b$ max.	0.3 mm
Basic dynamic load rating C	83 kN
Basic static load rating $C_0$	140 kN
Specific dynamic load factor K	300 N/mm <sup>2</sup>
Specific static load factor $K_0$	500 N/mm <sup>2</sup>
Mass plain bearing	0.06 kg