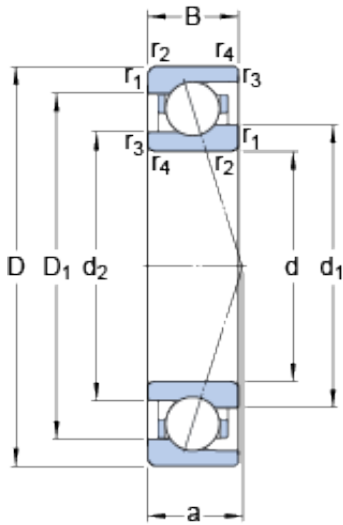




# FML ske Manufacturing Co., Ltd



71908 ACE/HCP4A Bearing 2D drawings and 3D CAD models

## 40 mm x 62 mm x 12 mm SKF 71908 ACE/HCP4A angular contact ball bearings

Bearing No. 71908 ACE/HCP4A

Size	62x40x12 mm
Bore Diameter	62 mm
Outer Diameter	40 mm
Width	12 mm
d	40 mm
D	62 mm
B	12 mm
d <sub>1</sub>	46.5 mm
d <sub>2</sub>	44.8 mm
D <sub>1</sub>	54.15 mm
r <sub>1,2</sub> - min.	0.6 mm
r <sub>3,4</sub> - min.	0.3 mm
a	18.6 mm
d <sub>a</sub> - min.	43.2 mm
d <sub>b</sub> - min.	42 mm
D <sub>a</sub> - max.	58.8 mm
D <sub>b</sub> - max.	60 mm
r <sub>a</sub> - max.	0.6 mm
r <sub>b</sub> - max.	0.3 mm
d <sub>n</sub>	48 mm
Basic dynamic load rating - C	9.2 kN
Basic static load rating - C <sub>0</sub>	5.8 kN
Fatigue load limit - P <sub>u</sub>	0.245 kN
Limiting speed for grease	34000 r/min



## FML ske Manufacturing Co., Ltd

Lubrication	
Limiting speed for oil lubrication	52000 mm/min
Ball - $D_w$	6.35 mm
Ball - $z$	19
$G_{ref}$	1.4 cm <sup>3</sup>
Calculation factor - $e$	0.68
Calculation factor - $Y_2$	0.87
Calculation factor - $Y_0$	0.38
Calculation factor - $X_2$	0.41
Calculation factor - $Y_1$	0.92
Calculation factor - $Y_2$	1.41
Calculation factor - $Y_0$	0.76
Calculation factor - $X_2$	0.67
Preload class A - $G_A$	84 N
Preload class B - $G_B$	250 N
Preload class C - $G_C$	505 N
Calculation factor - $f$	1.05
Calculation factor - $f_1$	0.98
Calculation factor - $f_{2A}$	1
Calculation factor - $f_{2B}$	1.04
Calculation factor - $f_{2C}$	1.08
Calculation factor - $f_{HC}$	1.01
Preload class A	86 N/micron
Preload class B	130 N/micron
Preload class C	170 N/micron
$d_1$	46.5 mm
$d_2$	44.8 mm
$D_1$	54.15 mm
$r_{1,2}$ min.	0.6 mm



## FML ske Manufacturing Co., Ltd

$r_{3,4}$ min.	0.3 mm
$d_a$ min.	43.2 mm
$d_b$ min.	42 mm
$D_a$ max.	58.8 mm
$D_b$ max.	60 mm
$r_a$ max.	0.6 mm
$r_b$ max.	0.3 mm
$d_n$	48 mm
Basic dynamic load rating C	9.23 kN
Basic static load rating $C_0$	5.85 kN
Fatigue load limit $P_u$	0.245 kN
Attainable speed for grease lubrication	34000 r/min
Attainable speed for oil-air lubrication	52000 r/min
Ball diameter $D_w$	6.35 mm
Number of balls z	19
Reference grease quantity $G_{ref}$	1.4 cm <sup>3</sup>
Preload class A $G_A$	84 N
Static axial stiffness, preload class A	86 N/ $\mu$ m
Preload class B $G_B$	250 N
Static axial stiffness, preload class B	130 N/ $\mu$ m
Preload class C $G_C$	505 N
Static axial stiffness, preload class C	170 N/ $\mu$ m
Calculation factor f	1.05
Calculation factor $f_1$	0.98
Calculation factor $f_{2A}$	1
Calculation factor $f_{2B}$	1.04
Calculation factor $f_{2C}$	1.08
Calculation factor $f_{HC}$	1.01



## FML ske Manufacturing Co., Ltd

Calculation factor e	0.68
Calculation factor (single, tandem) $Y_2$	0.87
Calculation factor (single, tandem) $Y_0$	0.38
Calculation factor (single, tandem) $X_2$	0.41
Calculation factor (back-to-back, face-to-face) $Y_1$	0.92
Calculation factor (back-to-back, face-to-face) $Y_2$	1.41
Calculation factor (back-to-back, face-to-face) $Y_0$	0.76
Calculation factor (back-to-back, face-to-face) $X_2$	0.67
Mass bearing	0.088 kg